

GlassOuse

Assistive Device

www.glassouse.com

GS11 Cheek Switch
User Manual

GS11 CHEEK SWITCH:

Cheek Switch – an assistive switch that's activated by the movement of your cheek. The switch comes with a mono 3.5mm port, an adjustable wire, and a coin-sized proximity sensor at the end of the wire. Two 3.5mm connection wire of different lengths and a charging cable are included in the box.

INSIDE THE BOX:

Cheek Switch (a)
Hook 1 (For GlassOuse PRO/Link) (b)
Hook 2 (For GlassOuse V1.4) (c)
Short 3.5mm Connection Wire (d)
Long 3.5mm Connection Wire (e)
USB-A to USB Charging Cable

SPECIFICATIONS:

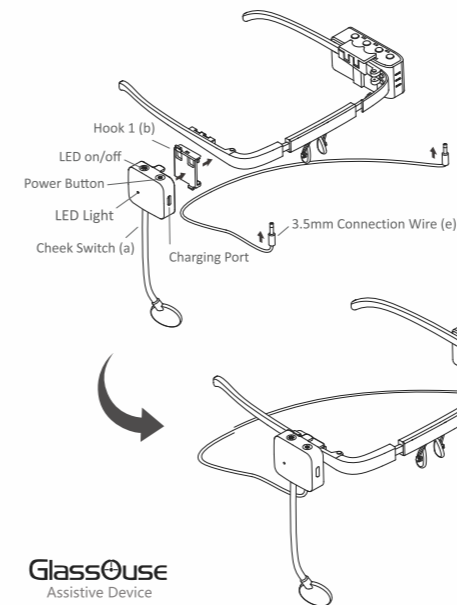
Model: GS11 Cheek Switch	Weight: 20g
Placement: Cheek (with 1~8mm distance)	Exposed Cable Length: 103mm
Color: Black	Battery Capacity: 3.7V 110mA 0.4Wh
Product Size: 37mm*31mm*20mm	Charging Interface: Micro USB

NOTE: When using with GlassOuse PRO or GlassOuse Link, it can be only connected to G-Framewear (GW01) and no other G-Wear accessories.

GlassOuse
Assistive Device

01

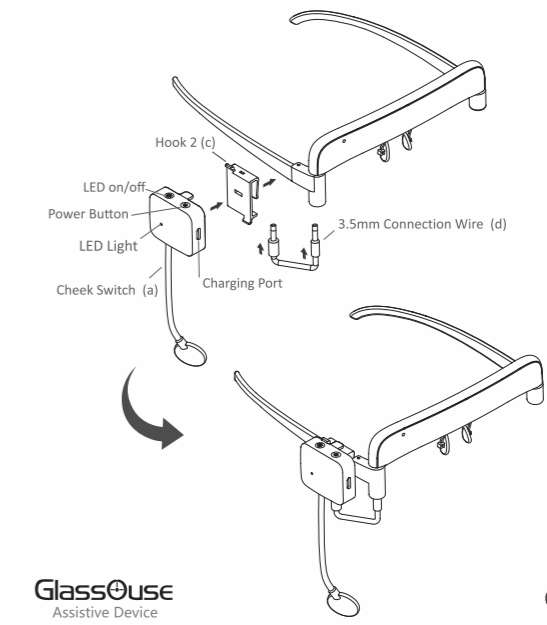
1. Cheek switch connecting to GlassOuse PRO or Link + G-Framewear (GW01)



GlassOuse
Assistive Device

02

2. Connecting To GlassOuse V1.4



GlassOuse
Assistive Device

03

SWITCH CONNECTION AND USE

1. Attach the Cheek Switch to your GlassOuse PRO(Link) or GlassOuse V1.4 using the respective hooks. Connect the switch to your GlassOuse device using the included 3.5mm jack wire.
2. After putting on GlassOuse, adjust the position of the switch wire so that the coin shaped sensor is positioned close to your cheek-movement area, but not touching it. It's suggested to have about 0.5 cm (0.2 in) space between the coin shaped sensor and your cheek to detect movement.
3. Single click the power button on the cheek switch to switch it ON.
4. To activate the switch, simply make a puffing gesture with your cheek or move your cheek muscles on the side of the sensor. The Cheek Switch will detect the movement and make a click on your device. Every time the sensor is activated, a blue LED light will blink.

GlassOuse
Assistive Device

04

5. You can switch OFF the blue LED light and enter Battery Saving Mode by single-clicking the light button on the switch. Now the blue indicator light will not flash whenever a click is made.
6. Single click the power button on the cheek switch to switch it OFF.

CHARGING THE SWITCH

1. To charge the Cheek Switch, plug in a USB-A type wire. A red LED light will indicate that the switch is charging.
2. Once the switch is fully charged, the red LED light will switch off, indicating that the Cheek Switch is fully charged and ready to use.

GlassOuse
Assistive Device

05

Warning:

- Do not damage the sensor on the switch by applying high pressure.
- Keep the switch away from water.
- Do not use the switch while it charging.

GlassOuse
Assistive Device

06

Manufacturer: EnnoPro Group Limited
Address: 7th Floor, Huarong Building,
Qiaolian East, Bulong Road,
Longgang District, 518129, Shenzhen,
Guangdong, China
Phone: 0086-755-89205835
Mail: support@glassouse.com
Web: www.glassouse.com