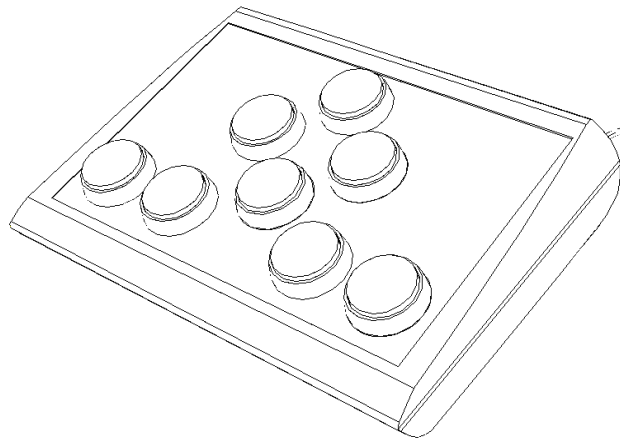


BJ-854 BJOY Button

User's Guide



 **BJ Live!**
smart solutions that suit you



1_Introduction

BJOY Button is a mouse controlled exclusively by buttons. Its design offers a total control with eight buttons and a full range of configuration options.

The main features of the device are:

- 4 big buttons to control the cursor's movements.
- 4 big buttons to enable the options and actions of the mouse clicks.
- Keypad for the buttons.
- Transparent and coloured interchangeable covers.
- Customizable covers and labels for the buttons.
- Pre-printed labels for the buttons.
- Four 3.5 mm sockets to enable the clicks by means of external switches if needed.
- Non Slip.
- It can be adapted to the user position, and the movement directions can be adjusted according to the assembly orientation.
- "Plug and Play" device compatible with Windows, Mac OS and Linux.
- The regular options that any OS offers for the mouse (change cursor's icon, clicks' options, etc.) can be set as well for this device.
- The mouse operating features are customizable with the BJOY Configuration Software. This software is compatible with Windows. For Mac users, the device can be configured in a Windows computer.
- Customized settings are saved in the device, making easier to use the device on different computers. The user doesn't need to reset the personal configuration each time.

2_Equipment description and installation

2.1 Equipment description

The BJOY Button is made up of the following parts:

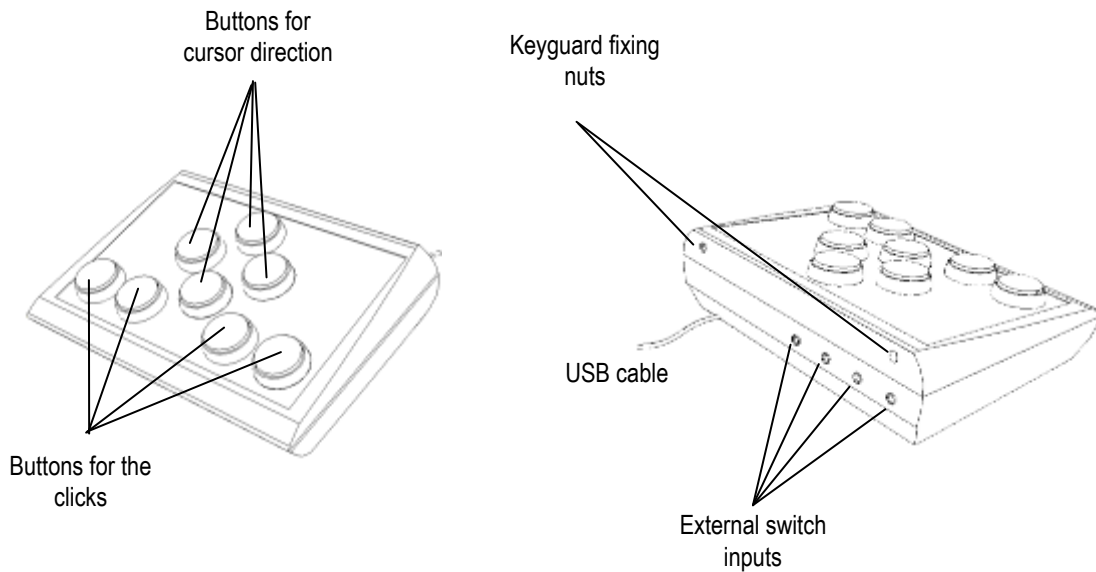
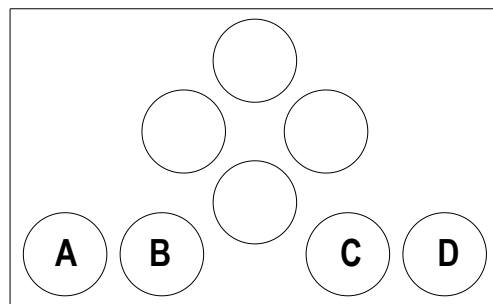


Fig. 1 BJOY Button parts

The buttons for the cursor direction allows moving the cursor in the four directions indicated by the arrows (up, down, right and left).

The device has four buttons that perform four different actions, corresponding to clicks and actions of a conventional mouse: left click, right click, double click and drag and drop action (equivalent to keeping the left button pressed).

You can determine the action for each of the buttons using the BJOY Configuration Software. The setting by default is:



- A:** Left click
- B:** Right click
- C:** double click
- D:** Draa & drop

Fig.2 Default buttons function assignment

The four switch inputs provide external switch access to the device. Each switch input is associated to one of the buttons for the clicks. The switch inputs are labeled with A, B, C, and D letters.

2.2 Cover assembly

BJOY Button mouse has methacrylate keyguard that helps avoiding the involuntary clicks.

To mount the keyguard, it must be fitted first at the front of the device as showed on Fig. 3. Then place the keyguard in the correct position.

Once the keyguard is correctly mounted, it must be fixed with the plastic screws included with the product.

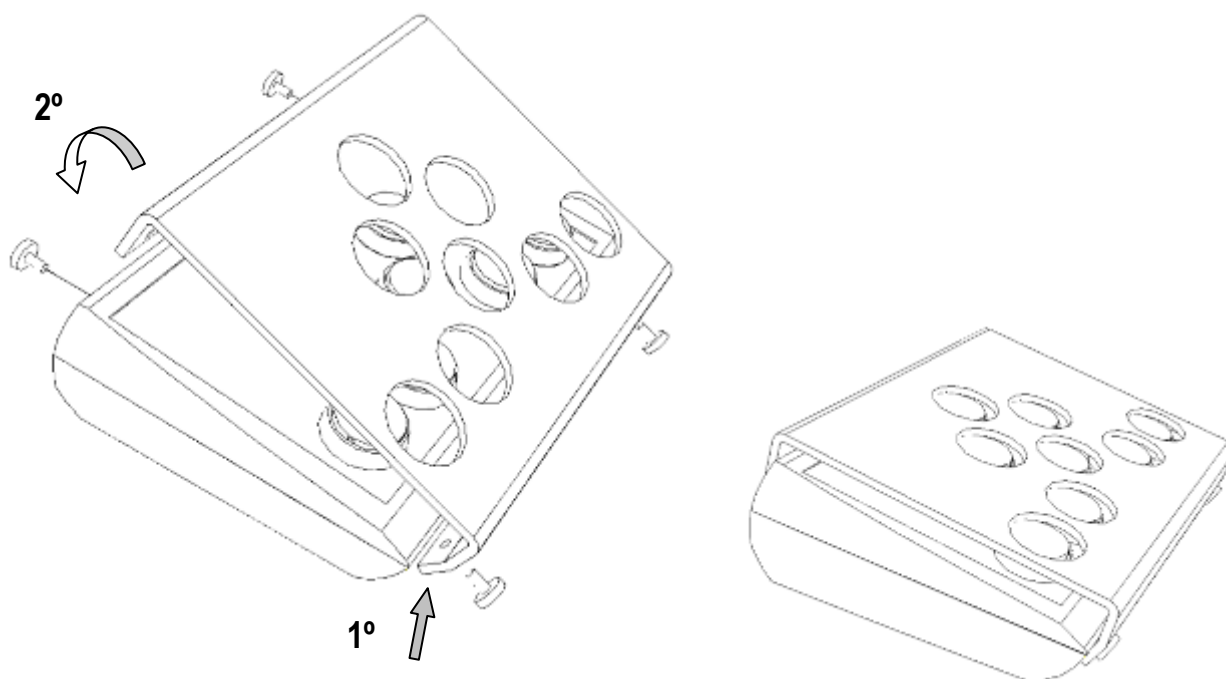


Fig. 3. Cover assembly

2.3 Changing the covers of the buttons

It is possible to change the covers and the labels of the buttons. The product includes transparent and colour covers and also pre-printed labels for the buttons.

To change the covers of the buttons you just have to remove them by introducing an object in the covers' slot and pull towards the buttons outside. (Fig. 4)

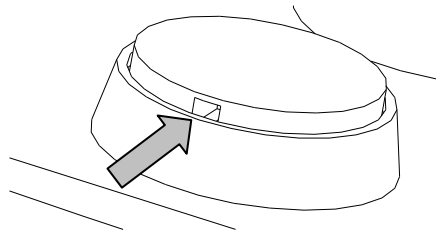


Fig. 4 Changing the covers

3_ How to use the BJOY Button

To start using the BJOY Button mouse, it must be connected to the computer USB port. Once the computer has recognized the device, the mouse can be used.

To move the cursor you just have to press the button corresponding to the desired direction. You can press several buttons at the same time (if they are not opposite directions). Be aware that the speed of the cursor corresponds to the speed set by means of the customization software.

To do the clicks, you just need to press the corresponding button. Drag and drop action is activated by pressing the button once and from that moment the function became active until you press again the button.

The actions of the buttons and the cursor movements can be set up by means of the BJOY Configuration Software.

4_ BJOY configuration software

The BJOY configuration software allows customizing the mouse behaviour according to the user needs.

4.1. Installation

To install the program, you must follow these steps:

- 1º Insert the CD included with the BJOY mouse in the CD-ROM drive of your computer or download the *BJOYSetup.exe* file from:

<http://www.bj-adaptaciones.com/en/products/bjoy-stick-a>

NOTE: If using the CD and your computer does not have CD-ROM, you can copy the CD contents on a USB stick or any other removable drive.

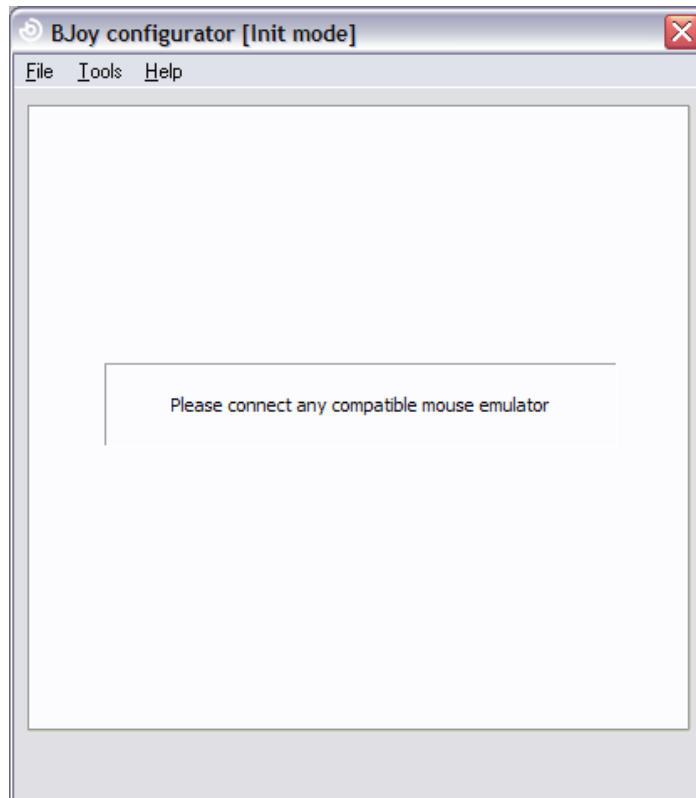
- 2º **If using the CD** the installation should begin automatically. If it does not, browse to the CD or removable drive and click on *BJOYSetup.exe* file. **If using the web page**, go to section "Downloads" and click on "BJOY Software". Save the *BJOYSetup.exe* file in your computer and double click to start installation.
- 3º When the installation begins the wizard will guide you through the process. It is recommended to close all other programs during the process. You must click "Next" to continue.
- 4º You can choose a different path for the installation file and create a shortcut to the program in the Start Menu and Desktop.
- 5º Once you have selected your installation preferences, click "Install" to install the program on your computer.
- 6º Once installation is completed, click "Finish" to exit.



4.2. Configuration

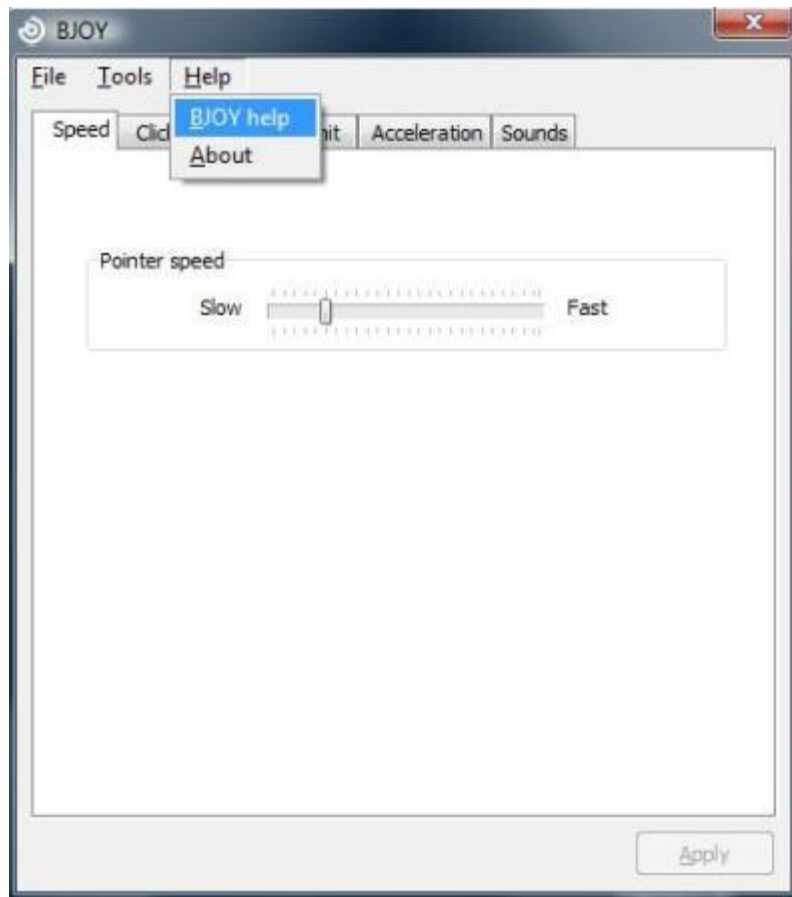
IMPORTANT: In order to access to the multiple settings options you must have a BJOY device connected to your computer.

In case you do not have any BJOY device connected the following screen will appear:



IMPORTANT: if you want that changes done are applied to the BJOY device, the "Apply" button that appears at the right bottom of the window must be clicked.

The instructions for using the BJOY Software are available from the "Help" menu.



4.3 Save a customize setting

To save a setting after making any customization, follow these steps:

1. Select the "File" menu
2. Select "Save Settings"
3. In the next screen, assign a name and a location to save the file. Accept making click on the "Save" button.

4.4 Loading a configuration

To reload a saved configuration in order to modify it or save it in the device, follow these steps:

1. Activate the "File" menu
2. Select "Load settings"

3. Find the file corresponding to the stored configuration (files are saved with the extension ". BJOY." Click on the "Open" button in the same screen.

To load the configuration on the device you must click on the "Apply" button.

4.5 Language settings

To change the language of the program, just follow these steps:

1. Activate the "Tools" menu.
2. Select "Change language"
3. Choose your preferred language and validate clicking the "Accept" button.

5_ Maintenance of the equipment

When maintaining and cleaning the equipment take into account the following precautionary measures:

- Do not connect the equipment to any other type of connections other than USB ports.
- To connect and disconnect the cable always hold it by its connector. Do not pull the cable directly.
- Do not bend or force the end of the cable.
- To clean the device a moist cloth should be used. Do not use abrasive substances. Always clean the device when it is disconnected.
- Avoid liquids entering into the switch box as this could seriously damage the equipment.
- The equipment is not designed to be used outdoors.
- Do not manipulate the device in the event of a fault.

6_ Technical characteristics

- USB 2.0 connection
- Operating voltage: 5V.
- Operating current: 50mA
- Size: 290 x 220 x 160 mm.

This product complies with the European directives 2004/108/EC. The declaration of conformity can be consulted at the company's web page.

7_ Disposal of the product

- At the end of the product's lifecycle neither the product nor its electronic accessories (e.g. the USB cable) can be eliminated together with other domestic waste.
- To avoid possible environmental or human harm which could be caused by uncontrolled waste disposal, separate these products from other types of waste and correctly recycle them. This will promote the sustainable reuse of material resources.
- Consumers can contact the establishment where they purchased the product or the relevant local authorities in order to obtain more information about how and where they can be ecologically and safely recycled.



